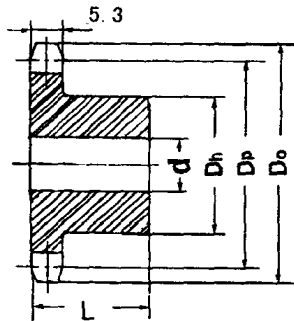
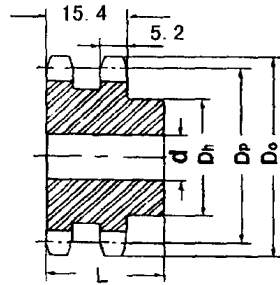


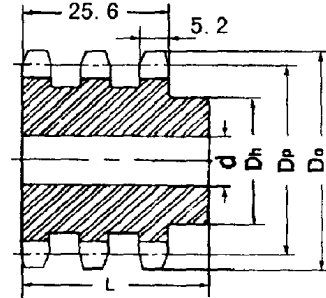
06B sprockets (3/8" Pitch)



Type B



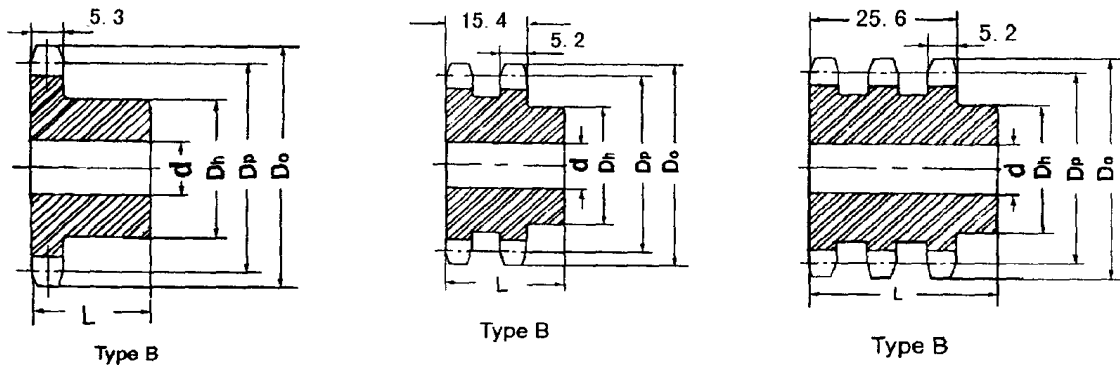
Type B



Type B

No of Teeth	Pitch Dia Dp	Outside Dia Do	SINGLE-TYPE			DOUBLE-TYPE			TRIPLE-TYPE		
			Bore d	Hub Dh	L	Bore d	Hub Dh	L	Bore d	Hub Dh	L
8	24.89	28.0	8	15	22	8	15	22	8	15	32
9	27.85	31.0	8	18	22	8	18	22	8	18	32
10	30.82	34.0	8	20	22	8	20	22	10	20	32
11	33.80	37.0	8	22	25	10	22	25	12	22	35
12	36.80	40.0	8	25	25	10	25	25	12	25	35
13	39.80	43.0	10	28	25	10	28	25	12	28	35
14	42.80	46.3	10	31	25	10	31	25	12	31	35
15	45.81	49.3	10	34	25	10	34	25	12	34	35
16	48.82	52.3	10	37	28	12	37	30	12	37	35
17	51.83	55.3	10	40	28	12	40	30	12	40	35
18	54.85	58.3	10	43	28	12	43	30	12	43	35
19	57.87	67.3	10	45	28	12	46	30	12	46	35
20	60.89	64.3	10	46	28	12	49	30	12	49	35
21	63.91	68.0	12	48	28	16	52	30	16	52	40
22	66.93	71.0	12	50	28	16	55	30	16	55	40
23	69.95	73.5	12	52	28	16	58	30	16	58	40
24	72.97	77.0	12	54	28	16	61	30	16	61	40
25	76.00	80.0	12	57	28	16	64	30	16	64	40
26	79.02	83.0	12	60	28	16	67	30	16	67	40
27	82.04	86.0	12	60	28	16	70	30	16	70	40
28	85.07	89.0	12	60	28	16	73	30	16	73	40
29	88.09	92.0	12	60	28	16	76	30	16	76	40
30	91.12	94.7	12	60	28	16	79	30	16	79	40
31	94.15	98.3	14	65	30	16	80	30	16	80	40
32	97.17	101.3	14	65	30	16	80	30	16	80	40
33	100.20	104.3	14	65	30	16	80	30	16	80	40
34	103.23	107.3	14	65	30	16	80	30	16	85	40
35	106.26	110.4	14	65	30	16	80	30	16	85	40
36	109.29	113.4	14	70	30	16	90	30	16	90	40
37	112.32	116.4	14	70	30	16	90	30	16	90	40
38	115.34	119.5	14	70	30	16	90	30	16	90	40
39	118.37	122.5	14	70	30	16	90	30	16	90	40
40	121.40	125.5	14	70	30	16	90	30	16	90	40

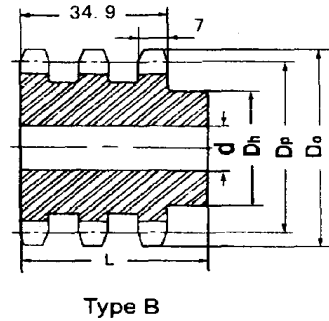
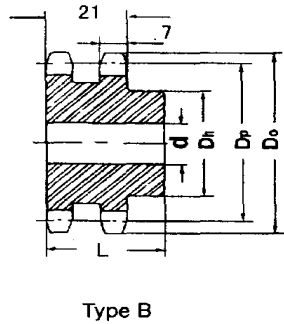
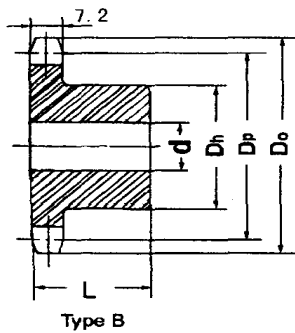
06B sprockets (3/8" Pitch)



No of Teeth	Pitch Dia Dp	Outside Dia Do	SINGLE-TYPE			DOUBLE-TYPE			TRIPLE-TYPE		
			Bore d	Hub Dh	L	Bore d	Hub Dh	L	Bore d	Hub Dh	L
42	127.46	131.6	16	78	32	20	90	40	20	90	56
45	136.54	140.7	16	78	32	20	90	40	20	90	56
46	139.58	143.7	20	78	32	20	90	40	20	90	56
48	145.64	149.7	20	78	32	20	90	40	20	90	56
50	151.69	155.7	20	78	32	20	90	40	20	90	56
55	166.85	170.8	20	78	32	20	90	40	20	90	56
57	172.91	176.9	20	78	32	20	90	40	25	90	56
60	181.99	186.0	20	78	32	20	90	40	25	90	56
76	230.49	234.9	20	78	32	25	90	40	25	90	56
95	288.08	292.5	25	80	32	25	90	40	25	90	56
114	345.68	349.5	25	80	32	25	90	40	25	90	56

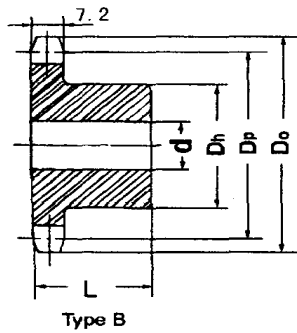
SPROCKETS NZ

08B sprockets (1/2" Pitch)

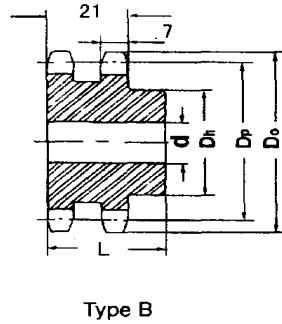


No of Teeth	Pitch Dia Dp	Outside Dia Do	SINGLE-TYPE			DOUBLE-TYPE			TRIPLE-TYPE		
			Bore d	Hub Dh	L	Bore d	Hub Dh	L	Bore d	Hub Dh	L
8	33.18	37.2	10	20	25	10	20	32	10	20	46
9	37.13	41.0	10	24	25	10	24	32	12	24	46
10	41.10	45.2	10	26	25	10	28	32	12	28	46
11	45.07	48.7	10	29	25	12	32	35	16	32	50
12	49.07	53.0	10	33	28	12	35	35	16	35	50
13	53.06	57.4	10	37	28	12	38	35	16	38	50
14	57.07	61.8	10	41	28	12	42	35	16	42	50
15	61.09	65.5	10	45	28	12	46	35	16	46	50
16	65.10	69.5	12	50	28	14	50	38	16	50	50
17	69.11	73.6	12	52	28	14	54	38	16	54	50
18	73.14	77.8	12	56	28	14	58	38	16	58	50
19	77.16	81.7	12	60	28	14	62	38	16	62	50
20	81.19	85.8	12	64	28	14	66	38	16	66	50
21	85.22	89.7	14	68	28	16	70	40	20	70	55
22	89.24	93.8	14	70	28	16	70	40	20	70	55
23	93.27	98.2	14	70	28	16	70	40	20	70	55
24	97.29	101.8	14	70	28	16	75	40	20	75	55
25	101.33	105.8	14	70	28	16	80	40	20	80	55
26	105.36	110.0	16	70	30	20	85	40	20	85	55
27	109.40	114.0	16	70	30	20	85	40	20	85	55
28	113.42	118.0	16	70	30	20	90	40	20	90	55
29	117.46	122.0	16	80	30	20	95	40	20	95	55
30	121.50	126.1	16	80	30	20	100	40	20	100	55
31	125.54	130.2	16	90	30	20	100	40	20	110	55
32	129.56	134.3	16	90	30	20	100	40	20	110	55
33	133.60	138.4	16	90	30	20	100	40	20	110	55
34	137.64	142.6	16	90	30	20	100	40	20	110	55
35	141.68	146.7	16	90	30	20	100	40	20	110	55
36	145.72	151.0	20	90	35	20	100	40	25	120	55
37	149.76	154.6	20	90	35	20	100	40	25	120	55
38	153.80	158.6	20	90	35	20	100	40	25	120	55
39	157.83	162.7	20	90	35	20	100	40	25	120	55
40	161.87	166.8	20	90	35	20	100	40	25	120	55

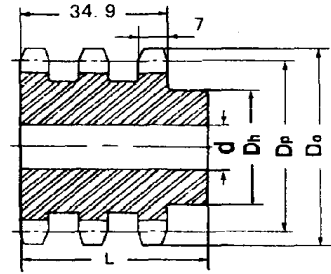
08B sprockets (1/2" Pitch)



Type B



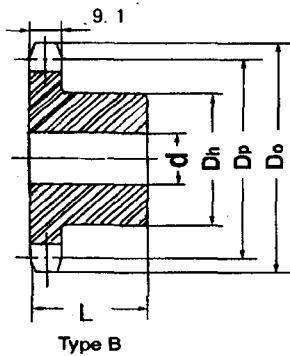
Type B



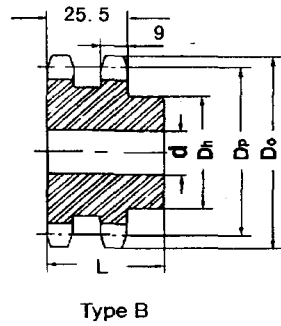
Type B

No of Teeth	Pitch Dia Dp	Outside Dia Do	SINGLE-TYPE			DOUBLE-TYPE			TRIPLE-TYPE		
			Bore d	Hub Dh	L	Bore d	Hub Dh	L	Bore d	Hub Dh	L
42	169.95	175.4	20	90	40	20	108	50	25	120	60
45	182.07	188.0	20	90	40	20	108	50	25	120	60
46	186.10	192.1	20	90	40	20	108	50	25	120	60
48	194.18	200.3	20	90	40	20	108	50	25	120	60
50	202.26	208.3	20	90	40	20	108	50	25	120	60
55	222.46	228.1	20	90	40	25	108	50	25	120	60
57	230.54	236.4	20	90	40	25	108	50	25	120	60
60	242.66	248.6	20	90	40	25	108	50	25	120	60
76	307.33	313.3	25	90	40	25	108	55	25	120	60
95	384.11	390.1	25	90	40	25	108	55	25	120	60
114	460.90	466.9	25	90	40	25	108	55	25	120	60

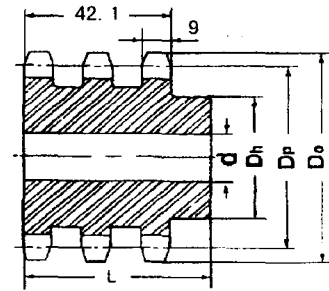
10B sprockets (5/8" Pitch)



Type B



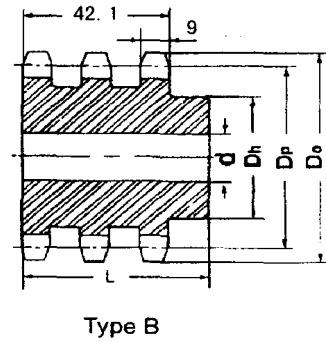
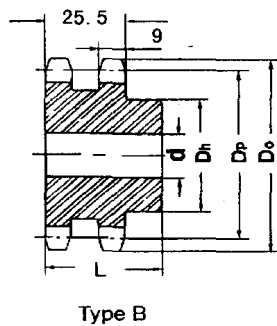
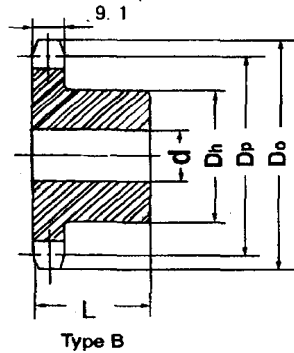
Type B



Type B

No of Teeth	Pitch Dia Dp	Outside Dia Do	SINGLE-TYPE			DOUBLE-TYPE			TRIPLE-TYPE		
			Bore d	Hub Dh	L	Bore d	Hub Dh	L	Bore d	Hub Dh	L
8	41.48	47.0	10	25	25	12	25	40	12	25	55
9	46.42	52.6	10	30	25	12	30	40	12	30	55
10	51.37	57.5	10	35	25	12	35	40	16	35	55
11	56.34	63.0	12	37	30	14	39	40	16	39	55
12	61.34	68.0	12	42	30	14	44	40	16	44	55
13	66.32	73.0	12	47	30	14	49	40	16	49	55
14	71.34	78.0	12	52	30	14	54	40	16	54	55
15	76.36	83.0	12	57	30	14	59	40	16	59	55
16	81.37	88.0	14	60	30	16	64	45	16	64	60
17	86.39	93.0	14	60	30	16	69	45	16	69	60
18	91.42	98.3	14	70	30	16	74	45	16	74	60
19	96.45	103.3	14	70	30	16	79	45	16	79	60
20	101.49	108.4	14	75	30	16	84	45	16	84	60
21	106.52	113.4	16	75	30	16	85	45	20	85	60
22	111.55	118.0	16	80	30	16	90	45	20	90	60
23	116.58	123.4	16	80	30	16	95	45	20	95	60
24	121.62	128.3	16	80	30	16	100	45	20	100	60
25	126.66	134.0	16	80	30	16	105	45	20	105	60
26	131.70	139.0	20	85	35	20	110	45	20	110	60
27	136.75	144.0	20	85	35	20	110	45	20	110	60
28	141.78	148.7	20	90	35	20	115	45	20	115	60
29	146.83	153.8	20	90	35	20	115	45	20	115	60
30	151.87	158.8	20	90	35	20	120	45	20	120	60
31	156.92	163.9	20	95	35	20	120	45	20	120	60
32	161.95	168.9	20	95	35	20	120	45	20	120	60
33	167.00	174.5	20	95	35	20	120	45	20	120	60
34	172.05	179.0	20	95	35	20	120	45	20	120	60
35	177.10	184.1	20	95	35	20	120	45	20	120	60
36	182.15	189.1	20	100	35	20	120	45	25	120	60
37	187.20	194.2	20	100	35	20	120	45	25	120	60
38	192.24	199.2	20	100	35	20	120	45	25	120	60
39	197.29	204.2	20	100	35	20	120	45	25	120	60
40	202.34	209.3	20	100	35	20	120	45	25	120	60

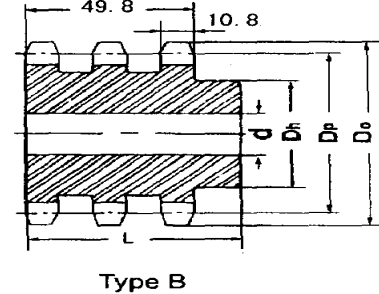
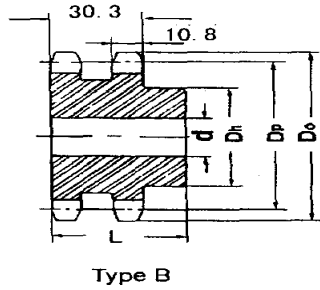
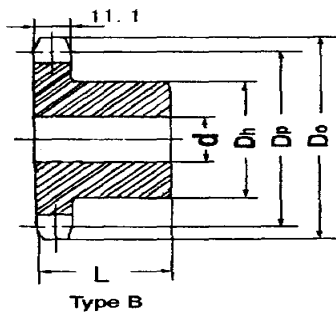
10B sprockets (5/8" Pitch)



SPROCKETS NZ

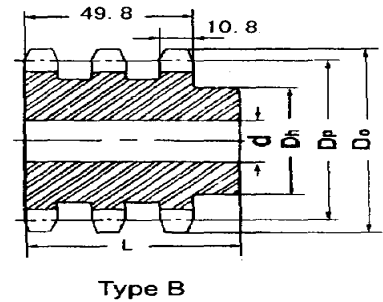
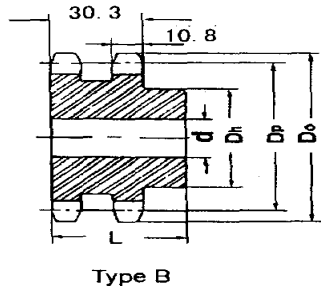
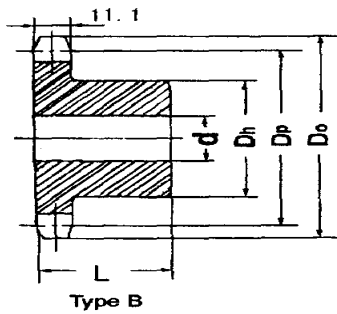
No of Teeth	Pitch Dia Dp	Outside Dia Do	SINGLE-TYPE			DOUBLE-TYPE			TRIPLE-TYPE		
			Bore d	Hub Dh	L	Bore d	Hub Dh	L	Bore d	Hub Dh	L
42	212.44	219.9	20	100	40	20	120	50	25	130	60
45	227.58	235.0	20	100	40	20	120	50	25	130	60
46	232.63	240.1	20	100	40	25	120	50	25	130	60
48	242.73	250.2	20	100	40	25	120	50	25	130	60
50	252.82	260.3	20	100	40	25	120	50	25	130	60
55	278.08	285.5	20	100	40	25	120	50	25	130	60
57	288.18	296.0	25	100	40	25	120	50	25	130	60
60	303.32	310.8	25	100	43	25	120	63	25	130	64
76	384.16	392.1	25	100	43	25	120	63	30	130	67
95	480.14	488.5	30	100	50	30	120	63	30	130	67
114	576.13	584.1	30	100	50	30	120	63	30	130	67

12B sprockets (3/4" Pitch)



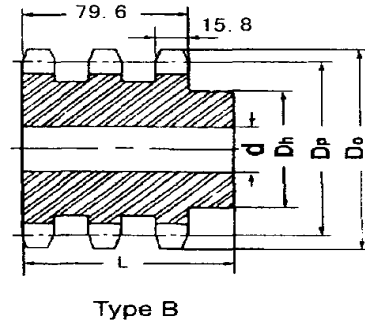
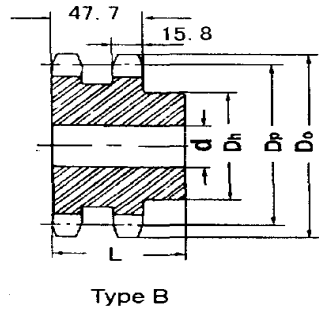
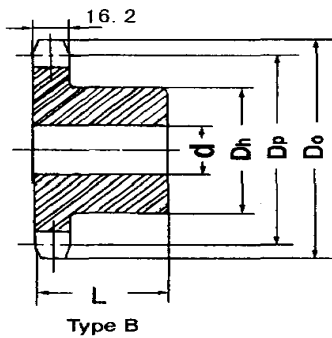
No of Teeth	Pitch Dia Dp	Outside Dia Do	SINGLE-TYPE			DOUBLE-TYPE			TRIPLE-TYPE		
			Bore d	Hub Dh	L	Bore d	Hub Dh	L	Bore d	Hub Dh	L
8	49.78	57.6	12	31	30	12	31	45	16	31	65
9	55.70	62.0	12	37	30	12	37	45	16	37	65
10	61.64	69.0	12	42	30	12	42	45	16	42	65
11	67.61	75.0	14	46	35	16	47	50	20	47	70
12	73.60	81.5	14	52	35	16	53	50	20	53	70
13	79.59	87.5	14	58	35	16	59	50	20	59	70
14	85.61	93.6	14	64	35	16	65	50	20	65	70
15	91.63	99.8	14	70	35	16	71	50	20	71	70
16	97.65	105.5	16	75	35	20	77	50	20	77	70
17	103.67	111.5	16	80	35	20	83	50	20	83	70
18	109.71	118.0	16	80	35	20	89	50	20	89	70
19	115.75	124.2	16	80	35	20	95	50	20	95	70
20	121.78	129.7	16	80	35	20	100	50	20	100	70
21	127.82	136.0	20	90	40	20	100	50	20	100	70
22	133.86	141.8	20	90	40	20	100	50	20	100	70
23	139.90	149.0	20	90	40	20	110	50	20	110	70
24	145.94	153.9	20	90	40	20	110	50	20	110	70
25	152.00	160.0	20	90	40	20	120	50	20	120	70
26	158.04	165.9	20	95	40	20	120	50	20	120	70
27	164.09	172.3	20	95	40	20	120	50	20	120	70
28	170.13	178.0	20	95	40	20	120	50	20	120	70
29	176.19	184.1	20	95	40	20	120	50	20	120	70
30	182.25	190.5	20	95	40	20	120	50	20	120	70
31	188.31	196.3	20	100	40	20	120	50	25	130	70
32	194.35	203.3	20	100	40	20	120	50	25	130	70
33	200.40	209.3	20	100	40	20	120	50	25	130	70
34	206.46	214.6	20	100	40	20	120	50	25	130	70
35	212.52	221.0	20	100	40	20	120	50	25	130	70
36	218.58	226.8	25	100	40	25	120	50	25	130	70
37	224.64	232.9	25	100	40	25	120	50	25	130	70
38	230.69	239.0	25	100	40	25	120	50	25	130	70
39	236.75	245.1	25	100	40	25	120	50	25	130	70
40	242.81	251.3	25	100	40	25	120	50	25	130	70

12B sprockets (3/4" Pitch)



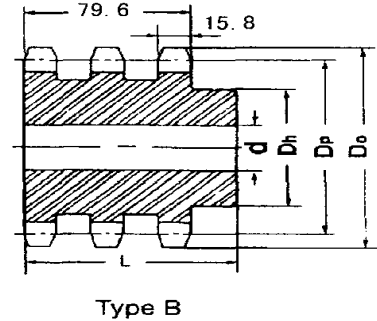
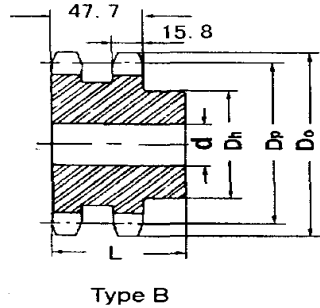
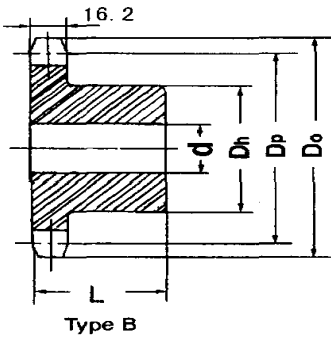
No of Teeth	Pitch Dia Dp	Outside Dia Do	SINGLE-TYPE			DOUBLE-TYPE			TRIPLE-TYPE		
			Bore d	Hub Dh	L	Bore d	Hub Dh	L	Bore d	Hub Dh	L
42	254.93	264.5	25	110	56	25	136	62	25	140	70
45	273.10	282.5	25	110	56	25	136	62	25	140	70
46	279.16	287.9	25	110	56	25	136	62	25	140	70
48	291.27	300.1	25	110	56	25	136	62	25	140	70
50	303.39	312.3	25	110	56	25	136	62	25	140	70
55	337.70	342.7	25	110	56	25	136	62	25	140	70
57	345.81	355.4	25	110	56	25	136	62	30	140	70
60	363.99	373.0	25	110	56	25	136	62	30	140	70
76	460.99	469.9	30	110	56	30	140	63	30	140	70
95	576.17	585.1	30	110	56	30	140	63	30	140	70
114	691.36	700.6	30	110	56	30	140	63	30	140	70

16B sprockets (1" Pitch)



No of Teeth	Pitch Dia Dp	Outside Dia Do	SINGLE-TYPE			DOUBLE-TYPE			TRIPLE-TYPE		
			Bore d	Hub Dh	L	Bore d	Hub Dh	L	Bore d	Hub Dh	L
8	66.37	77.0	16	42	35	16	42	65	20	42	95
9	74.27	85.0	16	50	35	16	50	65	20	50	95
10	82.19	93.0	16	55	35	16	56	65	20	56	95
11	90.14	99.5	16	61	40	20	64	70	25	64	100
12	98.14	109.0	16	69	40	20	72	70	25	72	100
13	106.12	117.0	16	78	40	20	80	70	25	80	100
14	114.15	125.0	16	84	40	20	88	70	25	88	100
15	122.17	133.0	16	92	40	20	96	70	25	96	100
16	130.20	141.0	20	100	45	25	104	70	30	104	100
17	138.22	149.0	20	100	45	25	112	70	30	112	100
18	146.28	157.0	20	100	45	25	120	70	30	120	100
19	154.33	165.2	20	100	45	25	128	70	30	128	100
20	162.38	173.2	20	100	45	25	130	70	30	130	100
21	170.43	181.2	20	110	50	30	130	70	30	130	100
22	178.48	189.3	20	110	50	30	130	70	30	130	100
23	186.53	197.5	20	110	50	30	130	70	30	130	100
24	194.59	205.5	20	110	50	30	130	70	30	130	100
25	202.66	213.5	20	110	50	30	130	70	30	130	100
26	210.72	221.3	20	120	50	30	130	70	30	130	100
27	218.79	229.6	20	120	50	30	130	70	30	130	100
28	226.85	237.7	20	120	50	30	130	70	30	130	100
29	234.92	245.8	20	120	50	30	130	70	30	130	100
30	243.00	254.0	20	120	50	30	130	70	30	130	100
31	251.08	262.0	25	120	50	30	140	70	30	140	100
32	259.13	270.0	25	120	50	30	140	70	30	140	100
33	267.21	278.5	25	120	50	30	140	70	30	140	100
34	275.28	287.0	25	120	50	30	140	70	30	140	100
35	283.36	296.2	25	120	50	30	140	70	30	140	100
36	291.44	304.6	25	120	50	30	140	70	30	140	100
37	299.51	312.6	25	120	50	30	140	70	30	140	100
38	307.59	320.7	25	120	50	30	140	70	30	140	100
39	315.67	328.8	25	120	50	30	140	70	30	140	100
40	323.73	336.9	25	120	50	30	140	70	30	140	100

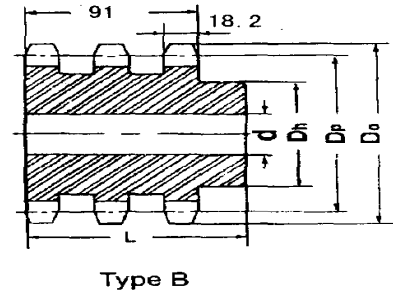
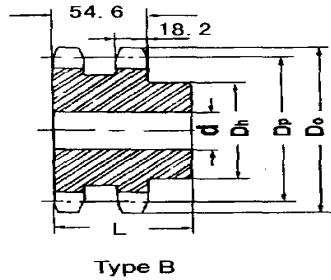
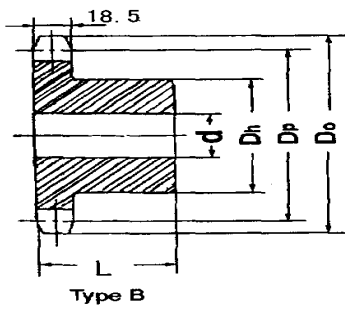
16B sprockets (1" Pitch)



SPROCKETS NZ

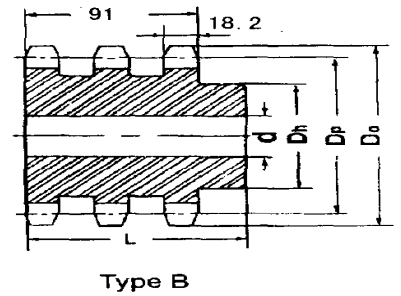
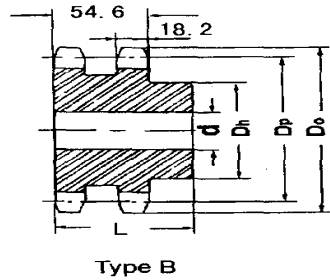
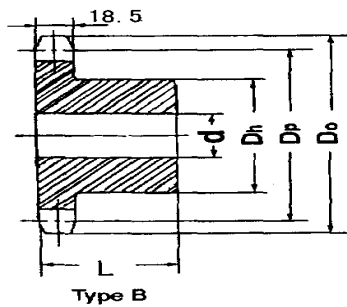
No of Teeth	Pitch Dia Dp	Outside Dia Do	SINGLE-TYPE			DOUBLE-TYPE			TRIPLE-TYPE		
			Bore d	Hub Dh	L	Bore d	Hub Dh	L	Bore d	Hub Dh	L
42	339.90	353.0	25	125	68	25	140	80	25	160	100
45	364.12	377.1	25	125	68	25	140	80	30	160	100
46	372.21	385.2	25	125	68	30	140	80	30	160	100
48	388.36	401.3	25	125	68	30	140	80	30	160	100
50	404.52	417.4	25	125	68	30	140	80	30	160	100
55	444.93	457.9	30	125	68	30	140	80	40	180	110
57	461.07	474.0	30	125	68	40	150	90	40	180	110
60	485.32	498.3	30	133	68	40	150	90	40	180	110
76	614.65	627.0	30	140	68	40	160	90	40	180	110
95	768.22	781.1	30	140	78	40	160	90	40	180	110
114	921.81	934.3	30	140	78	40	160	90	40	180	110

20B sprockets (1 1/4" Pitch)



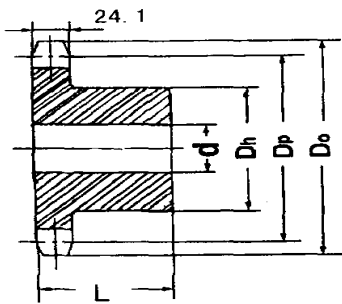
No of Teeth	Pitch Dia Dp	Outside Dia Do	SINGLE-TYPE			DOUBLE-TYPE			TRIPLE-TYPE		
			Bore d	Hub Dh	L	Bore d	Hub Dh	L	Bore d	Hub Dh	L
8	82.96	98.1	20	53	40	20	53	75	25	53	110
9	92.94	108.0	20	63	40	20	63	75	25	63	110
10	102.74	117.9	20	70	40	20	70	75	25	70	110
11	112.68	127.8	20	77	45	25	80	80	30	80	115
12	122.68	137.8	20	88	45	25	90	80	30	90	115
13	132.65	147.8	20	98	45	25	100	80	30	100	115
14	142.68	157.8	20	108	45	25	110	80	30	110	115
15	152.72	167.9	20	118	45	25	120	80	30	120	115
16	162.75	177.9	25	120	50	30	120	80	30	120	115
17	172.78	187.9	25	120	50	30	120	80	30	120	115
18	182.85	198.0	25	120	50	30	120	80	30	120	115
19	192.91	208.1	25	120	50	30	120	80	30	120	115
20	202.98	218.1	25	120	50	30	120	80	30	120	115
21	213.04	228.2	30	140	55	30	140	80	30	140	115
22	223.11	238.3	30	140	55	30	140	80	30	140	115
23	233.17	248.3	30	140	55	30	140	80	30	140	115
24	243.23	258.4	30	140	55	30	140	80	30	140	115
25	253.33	268.5	30	140	55	30	140	80	30	140	115
26	263.40	278.6	30	150	55	30	150	80	30	150	115
27	273.48	288.6	30	150	55	30	150	80	30	150	115
28	283.56	298.7	30	150	55	30	150	80	30	150	115
29	293.65	308.8	30	150	55	30	150	80	30	150	115
30	303.75	318.9	30	150	55	30	150	80	30	150	115
31	313.85	329.0	30	150	55	30	150	80	30	150	115
32	323.91	339.1	30	150	55	30	150	80	30	150	115
33	334.01	349.2	30	150	55	30	150	80	30	150	115
34	344.10	359.3	30	150	55	30	150	80	30	150	115
35	354.20	369.4	30	150	55	30	150	80	30	150	115
36	364.30	379.5	30	150	55	30	150	80	30	150	115
37	374.39	389.5	30	150	55	30	150	80	30	150	115
38	384.49	399.6	30	150	55	30	150	80	30	150	115
39	394.59	409.7	30	150	55	30	150	80	30	150	115
40	404.66	419.8	30	150	55	30	150	80	30	150	115

20B sprockets (1 1/4" Pitch)

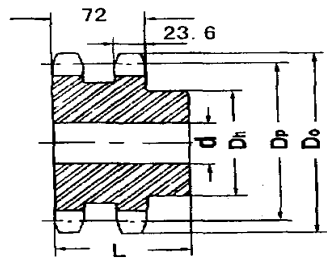


No of Teeth	Pitch Dia Dp	Outside Dia Do	SINGLE-TYPE			DOUBLE-TYPE			TRIPLE-TYPE		
			Bore d	Hub Dh	L	Bore d	Hub Dh	L	Bore d	Hub Dh	L
42	424.88	440.0	30	150	70	30	160	90	40	160	115
45	455.17	470.3	30	150	70	30	160	90	40	160	115
46	465.26	480.4	30	150	70	30	160	90	40	160	115
50	505.65	520.8	30	150	70	30	160	90	40	160	115
57	576.36	591.5	30	150	80	40	160	100	40	180	123
76	768.32	783.5	30	150	90	40	180	100	40	200	123
95	960.28	975.2	30	150	90	40	180	100	40	200	123
114	1152.26	1167.4	40	150	90	40	180	100	40	200	123

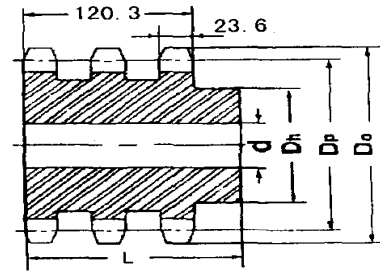
24B sprockets (1 1/2" Pitch)



Type B



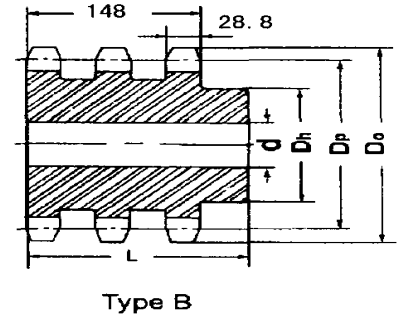
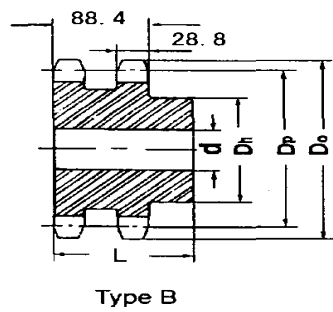
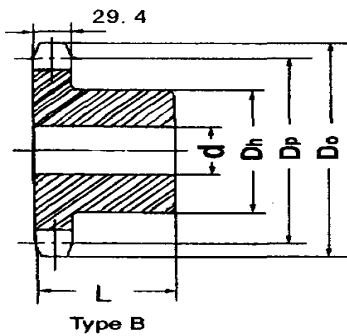
Type B



Type B

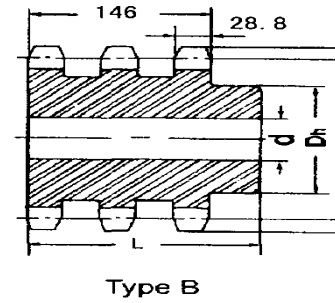
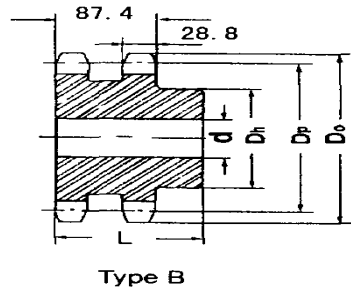
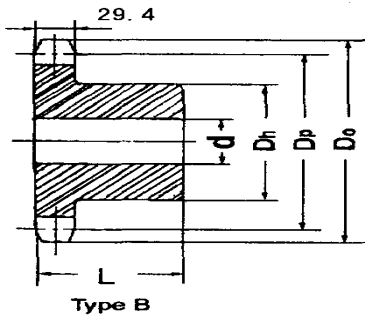
No of Teeth	Pitch Dia Dp	Outside Dia Do	SINGLE-TYPE			DOUBLE-TYPE			TRIPLE-TYPE		
			Bore d	Hub Dh	L	Bore d	Hub Dh	L	Bore d	Hub Dh	L
8	99.5	115.0	20	58	45	25	58	95	25	58	140
9	111.40	126.4	20	70	45	25	70	95	25	70	140
10	123.29	138.0	20	80	45	25	80	95	25	80	140
11	135.21	150.0	25	90	50	25	90	100	30	90	150
12	147.22	162.0	25	102	50	25	102	100	30	102	150
13	159.18	174.2	25	114	50	25	114	100	30	114	150
14	171.22	186.2	25	128	50	25	128	100	30	128	150
15	183.26	198.2	25	140	50	25	140	100	30	132	150
16	195.30	210.3	25	140	55	30	140	100	30	136	150
17	207.34	222.3	25	140	55	30	150	100	30	140	150
18	219.42	234.3	25	140	55	30	150	100	30	150	150
19	231.49	246.5	25	140	55	30	150	100	30	160	150
20	243.57	258.6	25	140	55	30	160	100	30	160	150
21	255.65	270.6	30	150	60	30	160	100	40	160	150
22	267.73	282.7	30	150	60	30	160	100	40	160	150
23	279.80	294.8	30	150	60	30	160	100	40	160	150
24	291.88	306.8	30	150	60	30	160	100	40	160	150
25	304.00	319.0	30	150	60	30	160	100	40	160	150
26	316.08	331.0	30	160	60	30	160	100	40	160	150
27	328.19	343.2	30	160	60	30	160	100	40	160	150
28	340.27	355.2	30	160	60	30	160	100	40	160	150
29	352.38	367.3	30	160	60	30	160	100	40	160	150
30	364.50	379.5	30	160	60	30	160	100	40	160	150
31	376.62	391.6	30	160	60	40	160	100	40	160	150
32	388.69	403.7	30	160	60	40	160	100	40	160	150
33	400.81	415.8	30	160	60	40	160	100	40	160	150
34	412.93	427.8	30	160	60	40	160	100	40	160	150
35	425.04	440.0	30	160	60	40	160	100	40	160	150
36	437.16	452.0	30	160	60	40	160	100	40	160	150
37	449.27	464.2	30	160	60	40	160	100	40	160	150
38	461.39	476.2	30	160	60	40	160	100	40	160	150
39	473.50	488.5	30	160	60	40	160	100	40	160	150
40	485.62	500.6	30	160	60	40	160	100	40	160	150

28B sprockets (1 3/4" Pitch)



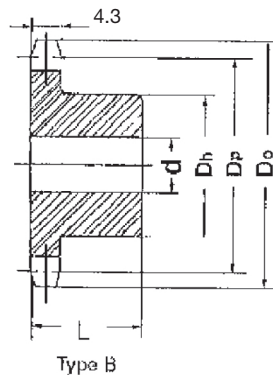
No of Teeth	Pitch Dia Dp	Outside Dia Do	SINGLE-TYPE			DOUBLE-TYPE			TRIPLE-TYPE		
			Bore d	Hub Dh	L	Bore d	Hub Dh	L	Bore d	Hub Dh	L
8	116.15	132.0	25	74	70	30	74	120	30	74	180
9	129.96	148.4	25	88	70	30	88	120	30	88	180
10	143.85	162.3	25	100	70	30	100	120	30	100	180
11	157.77	176.3	25	112	70	30	112	120	30	112	180
12	171.74	189.3	25	125	70	30	125	120	30	125	180
13	185.75	204.2	25	125	70	30	125	120	30	125	180
14	199.76	218.2	25	130	70	30	130	120	30	130	180
15	213.79	232.3	25	145	70	30	145	120	30	145	180
16	227.84	246.3	30	160	75	30	160	120	30	160	180
17	241.90	260.0	30	160	75	30	160	120	30	160	180
18	255.98	274.0	30	160	75	30	160	120	30	160	180
19	270.06	289.0	30	160	75	30	180	120	30	180	180
20	284.15	303.0	30	160	75	30	180	120	30	180	180
21	298.24	317.0	30	170	75	30	180	120	40	180	180
22	312.34	331.0	30	170	75	30	180	120	40	180	180
23	326.44	345.0	30	170	75	30	180	120	40	180	180
24	340.55	359.0	30	170	75	30	180	120	40	180	180
25	354.66	373.0	30	170	75	30	180	120	40	180	180
26	368.77	387.0	30	170	75	40	180	120	40	180	180
27	382.88	401.0	30	170	75	40	180	120	40	180	180
28	397.00	416.0	30	170	75	40	180	120	40	180	180
29	411.12	430.0	30	170	75	40	180	120	40	180	180
30	425.24	444.0	30	170	75	40	180	120	40	180	180
31	439.37	458.0	30	180	75	40	200	120	40	200	180
32	453.49	472.0	30	180	75	40	200	120	40	200	180
33	467.62	486.0	30	180	75	40	200	120	40	200	180
34	481.75	500.0	30	180	75	40	200	120	40	200	180
35	495.88	514.0	30	180	75	40	200	120	40	200	180
36	510.01	529.0	30	180	75	40	200	120	40	200	180
37	524.13	543.0	30	180	75	40	200	120	40	200	180
38	538.27	557.0	30	180	75	40	200	120	40	200	180
39	552.40	571.0	30	180	75	40	200	120	40	200	180
40	566.54	585.0	30	180	75	40	200	120	40	200	180

32B sprockets (2" Pitch)



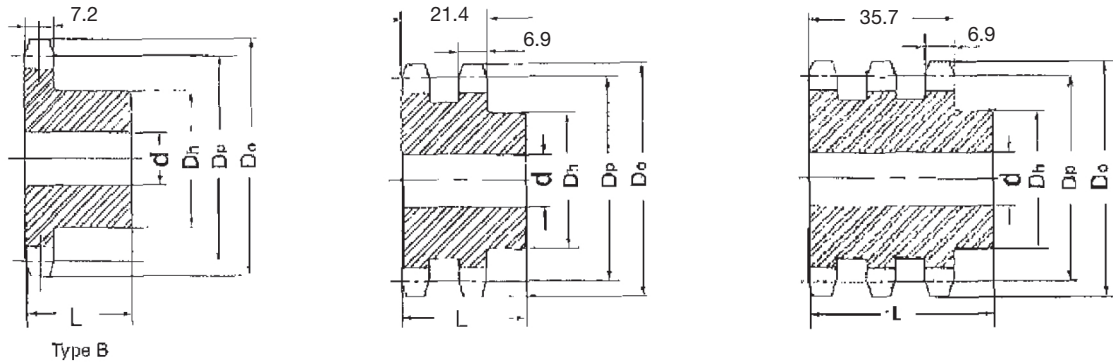
No of Teeth	Pitch Dia Dp	Outside Dia Do	SINGLE-TYPE			DOUBLE-TYPE			TRIPLE-TYPE		
			Bore d	Hub Dh	L	Bore d	Hub Dh	L	Bore d	Hub Dh	L
8	132.74	153.2	30	85	80	30	85	120	30	85	180
9	148.54	169.0	30	100	80	30	100	120	30	100	180
10	164.39	185.0	30	115	80	30	115	120	30	115	180
11	180.31	200.8	30	125	80	35	125	120	35	125	180
12	196.29	216.8	30	133	80	35	133	120	35	133	180
13	212.29	232.8	30	145	80	35	145	120	35	145	180
14	228.29	248.8	30	155	80	35	155	120	35	155	180
15	244.30	264.8	30	160	80	35	160	120	35	160	180
16	260.40	280.9	30	160	90	40	160	120	40	160	180
17	276.46	296.9	30	170	90	40	160	120	40	180	180
18	292.55	313.0	30	170	90	40	180	120	40	180	180
19	308.66	329.1	30	170	90	40	180	120	40	200	180
20	324.71	345.2	30	180	90	40	200	120	40	200	180
21	340.82	361.3	40	180	90	40	200	120	40	200	180
22	356.98	377.5	40	180	90	40	200	120	40	200	180
23	373.08	393.6	40	180	90	40	200	120	40	200	180
24	389.18	409.7	40	180	90	40	200	120	40	200	180
25	405.33	425.8	40	180	90	40	200	120	40	200	180
26	421.44	441.9	40	180	90	40	200	120	40	200	180
27	437.59	458.1	40	180	90	40	200	120	40	200	180
28	453.69	474.2	40	180	90	40	200	120	40	200	180
29	469.85	492.0	40	180	90						
30	486.00	506.5	40	180	90	40	200	120	40	200	180
32	518.27	538.8	40	180	90						
35	566.71	589.5	40	180	90						
38	615.16	635.5	40	180	90						
40	647.47	670.3	40	180	90						

ASA35 sprockets (3/8" Pitch)



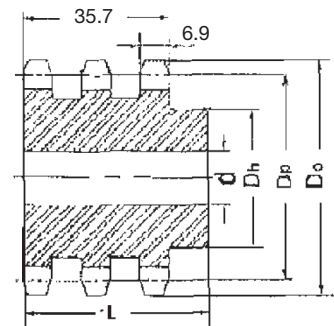
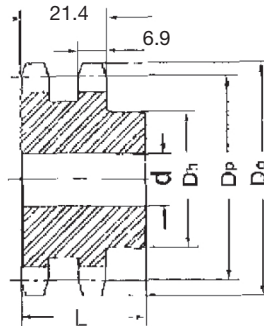
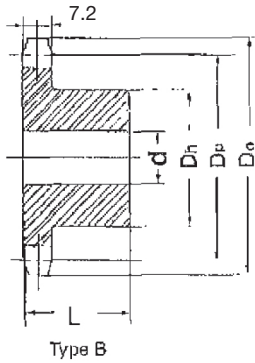
No of Teeth	Pitch Dia Dp	Outside Dia Do	SINGLE-TYPE		
			Bore d	Hub	
				Dh	L
10	30.83	35.05	9.5	24.6	19.0
11	33.80	38.1	9.5	26.9	19.0
12	36.80	41.40	9.5	30.9	19.0
13	39.80	44.45	9.5	31.7	19.0
14	42.79	47.49	9.5	31.7	19.0
15	45.82	50.54	12.7	34.1	19.0
16	48.81	53.59	12.7	37.3	19.0
17	51.84	56.64	12.7	40.4	19.0
18	54.83	59.69	12.7	43.6	19.0
19	57.86	62.73	12.7	46.8	19.0
20	60.88	65.78	12.7	49.2	19.0
21	63.90	68.83	12.7	50.8	22.2
22	66.92	71.88	12.7	50.8	22.2
23	69.95	74.93	12.7	50.8	22.2
24	72.97	77.97	12.7	50.8	22.2
25	75.99	81.02	12.7	50.8	22.2
26	79.01	84.07	12.7	50.8	22.2
27	82.04	87.12	12.7	50.8	22.2
30	91.13	96.26	12.7	50.8	22.2
38	115.34	120.65	15.8	57.1	22.2
40	121.41	126.74	15.8	57.1	25.4
45	136.55	141.98	15.8	57.1	25.4
57	172.91	178.36	15.8	57.1	25.4
76	230.49	236.01	19.0	57.1	25.4
95	288.08	293.64	19.0	57.1	25.4
114	345.68	351.26	19.0	57.1	25.4

ASA40 sprockets (1/2" Pitch)



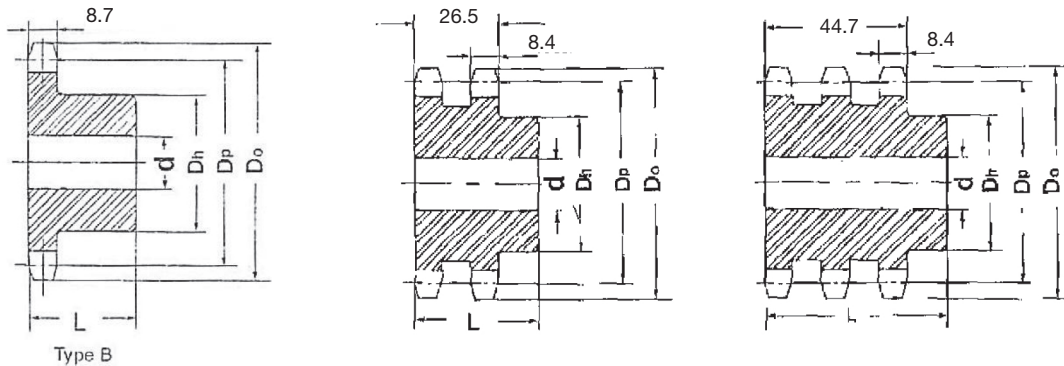
No of Teeth	Pitch Dia Dp	Outside dia Do	SINGLE-TYPE			DOUBLE-TYPE			TRIPLE-TYPE		
			Bore d	Hub Dh	L	Bore d	Hub Dh	L	Bore d	Hub Dh	L
9	37.13	42.41	12.7	26.9	22.2						
10	41.09	46.73	12.7	31.7	22.2						
11	45.08	50.80	12.7	34.9	22.2	12.7	36.5	38.1	12.7	36.5	53.9
12	49.07	55.11	12.7	39.6	22.2	12.7	39.6	38.1	12.7	39.6	53.9
13	53.06	59.18	12.7	39.6	22.2	12.7	38.1	38.1	12.7	38.1	53.9
14	57.07	63.24	12.7	42.8	22.2	12.7	42.8	38.1	12.7	42.8	53.9
15	61.08	67.31	12.7	46.0	22.2	12.7	46.0	38.1	12.7	46.0	53.9
16	65.10	71.37	15.8	50.8	22.2	15.8	50.8	38.1	15.8	50.8	53.9
17	69.11	75.69	15.8	53.9	25.4	15.8	53.9	38.1	15.8	53.9	53.9
18	73.12	79.75	15.8	58.7	25.4	15.8	58.7	38.1	15.8	58.7	53.9
19	77.16	83.82	15.8	63.5	25.4	15.8	63.5	38.1	15.8	63.5	53.9
20	81.17	87.88	15.8	66.6	25.4	15.8	66.6	41.2	15.8	66.6	57.1
21	85.21	91.94	15.8	69.8	25.4	15.8	69.8	41.2	15.8	69.8	57.1
22	89.23	96.01	15.8	73.0	25.4	15.8	73.0	41.2	15.8	73.0	57.1
23	93.26	100.07	15.8	76.2	25.4	15.8	76.2	41.2	15.8	76.2	57.1
24	97.30	104.14	15.8	82.5	25.4	15.8	82.5	41.2	15.8	82.5	57.1
25	101.32	108.20	15.8	82.5	25.4	15.8	82.5	41.2	15.8	82.5	57.1
26	105.35	112.26	15.8	82.5	25.4	15.8	82.5	41.2	15.8	82.5	57.1
27	109.39	116.33	15.8	82.5	25.4	15.8	82.5	41.2	15.8	82.5	57.1
28	113.43	120.39	15.8	82.5	25.4	15.8	82.5	41.2	15.8	82.5	57.1
30	121.48	128.52	15.8	82.5	25.4	22.2	82.5	41.2	22.2	82.5	57.1
31	125.52	132.58	15.8	82.5	25.4	22.2	82.5	41.2	22.2	82.5	57.1
32	129.56	136.65	15.8	82.5	25.4	22.2	82.5	41.2	22.2	82.5	57.1
35	141.68	148.84	15.8	82.5	25.4	22.2	82.5	41.2	22.2	82.5	57.1
36	145.71	152.90	15.8	82.5	25.4	23.8	95.2	41.2	23.8	95.2	60.3
38	153.77	160.78	15.8	82.5	25.4	23.8	95.2	41.2	23.8	95.2	60.3
40	161.87	168.91	19.0	88.9	28.5	23.8	95.2	44.4	23.8	95.2	60.3

ASA40 sprockets (1/2" Pitch)



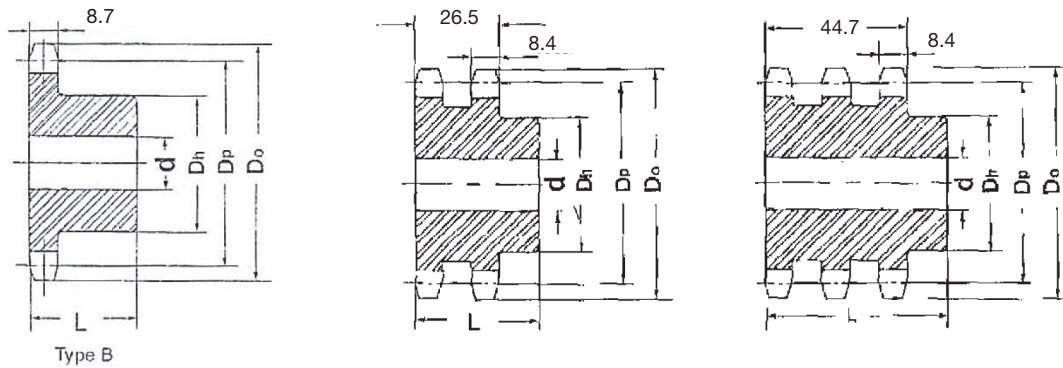
No of Teeth	Pitch Dia Dp	Outside dia Do	SINGLE-TYPE			DOUBLE-TYPE			TRIPLE-TYPE		
			Bore d	Hub Dh	L	Bore d	Hub Dh	L	Bore d	Hub Dh	L
45	182.06	189.23	19.0	88.9	28.5	23.8	95.2	44.4	23.8	95.2	60.3
50	202.26	209.55	19.0	88.9	28.5	23.8	95.2	44.4	23.8	95.2	60.3
57	230.54	237.74	19.0	88.9	28.5	23.8	95.2	44.4	23.8	95.2	60.3
76	307.32	314.70	19.0	101.6	31.7	30.1	107.9	53.9	31.7	101.6	66.6
95	384.11	391.41	25.4	101.6	31.7	30.1	107.9	53.9	31.7	107.9	69.8
114	460.91	468.37	25.4	101.6	31.7	30.1	107.9	53.9	31.7	107.9	69.8

ASA50 sprockets (5/8" Pitch)



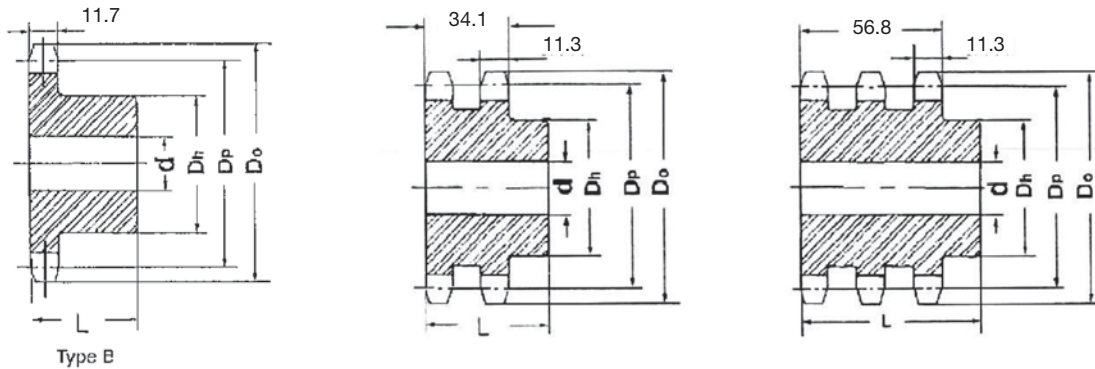
No of Teeth	Pitch Dia Dp	Outside Dia Do	SINGLE-TYPE			DOUBLE-TYPE			TRIPLE-TYPE		
			Bore d	Hub Dh	L	Bore d	Hub Dh	L	Bore d	Hub Dh	L
9	46.40	53.08	15.8	34.5	25.4						
10	51.38	58.42	15.8	39.6	25.4						
11	56.36	63.50	15.8	44.4	25.4	15.8	37.3	44.4	15.8	37.3	63.5
12	61.34	68.83	15.8	50.4	25.4	15.8	42.8	44.4	15.8	42.8	63.5
13	66.34	73.91	15.8	47.6	25.4	15.8	47.6	44.4	15.8	47.6	63.5
14	71.19	78.99	15.8	53.9	25.4	15.8	52.3	44.4	15.8	52.3	63.5
15	76.35	84.32	15.8	60.3	25.4	19.0	58.7	44.4	19.0	58.7	63.5
16	81.38	89.40	15.8	63.5	25.4	19.0	63.5	44.4	19.0	63.5	63.5
17	86.38	94.48	15.8	68.2	25.4	19.0	68.2	44.4	19.0	68.2	63.5
18	91.18	99.56	15.8	73.0	25.4	19.0	74.6	44.4	19.0	74.6	63.5
19	96.44	104.64	15.8	76.2	25.4	25.4	79.3	44.4	25.4	79.3	63.5
20	101.47	109.72	19.0	76.2	25.4	25.4	82.5	44.4	25.4	82.5	66.6
21	106.52	114.80	19.0	76.2	25.4	25.4	88.9	44.4	25.4	88.9	66.6
22	111.55	119.88	19.0	76.2	25.4	25.4	90.4	47.6	25.4	90.4	66.6
23	116.58	124.96	19.0	76.2	25.4	25.4	92.0	47.6	25.4	92.0	66.6
24	121.61	130.04	19.0	76.2	31.7	25.4	92.0	47.6	25.4	92.0	66.6
25	126.66	135.12	19.0	76.2	31.7	25.4	92.0	47.6	25.4	92.0	66.6
26	131.69	140.20	19.0	76.2	31.7	25.4	95.2	47.6	25.4	95.2	66.6
27	136.75	145.28	19.0	76.2	31.7	25.4	95.2	47.6	25.4	95.2	66.6
28	141.78	150.36	19.0	76.2	31.7	25.4	95.2	47.6	25.4	95.2	66.6
29	146.83	155.44	19.0	76.2	31.7	25.4	95.2	47.6	25.4	95.2	66.6
30	151.86	160.52	19.0	82.5	31.7	25.4	95.2	47.6	25.4	95.2	66.6
31	156.92	165.60	19.0	82.5	31.7	25.4	95.2	47.6	25.4	95.2	66.6
32	161.95	170.68	19.0	82.5	31.7	25.4	95.2	47.6	25.4	95.2	66.6
33	167.00	175.76	19.0	82.5	31.7	25.4	95.2	47.6	25.4	95.2	66.6
34	172.05	180.84	19.0	82.5	31.7	25.4	95.2	47.6	25.4	95.2	66.6
35	177.08	185.92	19.0	82.5	31.7	25.4	95.2	47.6	25.4	101.6	66.6
36	182.14	191.00	19.0	82.5	31.7	30.1	101.6	53.9	30.1	101.6	66.6
37	187.19	196.08	19.0	82.5	31.7	30.1	101.6	53.9	30.1	101.6	69.8
38	192.25	201.16	19.0	82.5	31.7	30.1	101.6	53.9	30.1	101.6	69.8
39	197.28	206.24	19.0	82.5	31.7	30.1	101.6	53.9	30.1	101.6	69.8
40	202.33	211.32	19.0	82.5	31.7	30.1	101.6	53.9	30.1	101.6	69.8

ASA50 sprockets (5/8" Pitch)



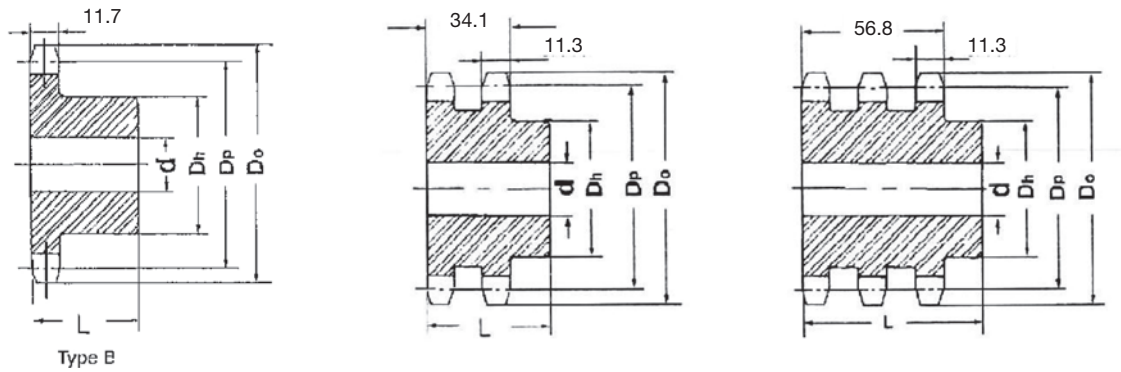
No of Teeth	Pitch Dia D_p	Outside Dia D_o	SINGLE-TYPE			DOUBLE-TYPE			TRIPLE-TYPE		
			Bore d	Hub D_h	Hub L	Bore d	Hub D_h	Hub L	Bore d	Hub D_h	Hub L
42	212.42	221.48	19.0	82.5	31.7	30.1	101.6	53.9	30.1	101.6	69.8
45	227.58	236.47	19.0	95.2	31.7	30.1	101.6	53.9	30.1	101.6	69.8
48	242.72	251.71	25.4	95.2	31.7	30.1	107.9	60.3	30.1	101.6	79.3
50	252.83	261.87	25.4	95.2	31.7	30.1	107.9	60.3	30.1	101.6	79.3
57	288.18	297.18	25.4	95.2	31.7	33.3	114.3	60.3	33.3	114.3	79.3
76	384.14	393.44	25.4	95.2	44.4	33.3	114.3	60.3	33.3	120.6	88.9
95	480.13	489.45	25.4	107.9	44.4	33.3	114.3	60.3	33.3	120.6	95.2
114	576.13	585.47	25.4	107.9	44.4	33.3	133.3	60.3	33.3	120.6	95.2

ASA60 sprockets (3/4"Pitch)



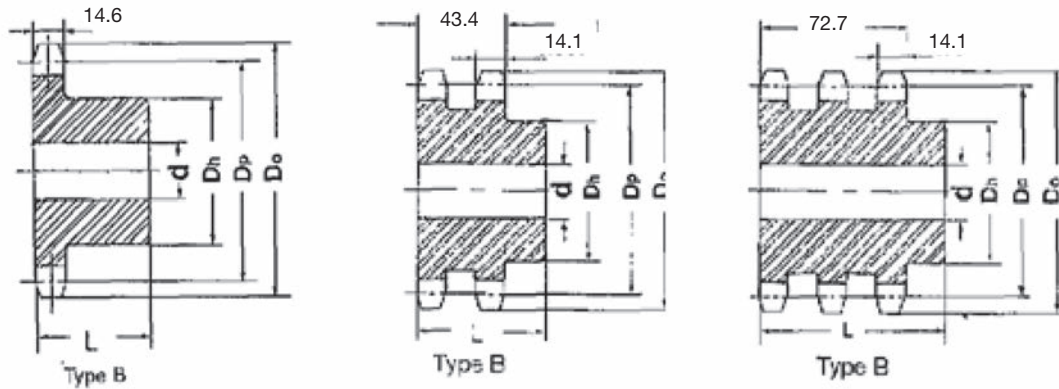
No of Teeth	Pitch Dia Dp	Outside Dia Do	SINGLE-TYPE			DOUBLE-TYPE			TRIPLE-TYPE		
			Bore d	Hub Dh	L	Bore d	Hub Dh	L	Bore d	Hub Dh	L
9	55.70	63.75	19.0	39.6	31.7						
10	61.64	70.10	19.0	49.2	31.7						
11	67.64	76.20	19.0	52.3	31.7	25.4	46.0	53.9	25.4	46.0	76.2
12	73.60	82.55	19.0	59.5	31.7	25.4	53.9	53.9	25.4	53.9	76.2
13	79.60	88.64	19.0	60.3	31.7	25.4	57.1	53.9	25.4	57.1	76.2
14	85.62	94.99	19.0	65.0	31.7	25.4	63.5	53.9	25.4	63.5	76.2
15	91.64	101.09	19.0	73.0	31.7	25.4	71.4	53.9	25.4	71.4	76.2
16	97.66	107.18	19.0	77.7	31.7	25.4	76.2	53.9	25.4	76.2	76.2
17	103.68	113.28	19.0	82.5	31.7	25.4	82.5	53.9	25.4	82.5	76.2
18	109.70	119.38	19.0	88.9	31.7	25.4	88.9	53.9	25.4	88.9	76.2
19	115.74	125.73	19.0	88.9	31.7	25.4	93.6	53.9	25.4	93.6	76.2
20	121.76	131.82	19.0	98.4	31.7	25.4	95.2	53.9	25.4	95.2	76.2
21	127.83	137.92	19.0	101.6	31.7	25.4	104.7	53.9	25.4	104.7	76.2
22	133.85	144.01	19.0	101.6	31.7	25.4	107.9	53.9	25.4	107.9	76.2
23	139.90	150.11	19.0	101.6	31.7	25.4	107.9	53.9	25.4	107.9	76.2
24	145.94	156.21	19.0	101.6	31.7	25.4	107.9	53.9	25.4	107.9	76.2
25	151.99	162.30	19.0	101.6	31.7	25.4	107.9	53.9	25.4	107.9	76.2
26	158.03	168.40	19.0	101.6	31.7	25.4	107.9	53.9	25.4	107.9	76.2
27	164.10	174.49	19.0	101.6	31.7	25.4	107.9	53.9	25.4	107.9	76.2
28	170.12	180.59	19.0	101.6	31.7	25.4	107.9	53.9	25.4	107.9	76.2
29	176.19	186.69	19.0	101.6	31.7	25.4	107.9	53.9	25.4	107.9	76.2
30	182.24	192.78	19.0	101.6	31.7	25.4	107.9	53.9	25.4	107.9	76.2
31	188.29	198.88	19.0	101.6	31.7	31.7	114.3	53.9	25.4	114.3	76.2
32	194.36	204.97	19.0	101.6	31.7	31.7	114.3	60.3	25.4	114.3	76.2
33	200.40	210.82	25.4	101.6	31.7	31.7	114.3	60.3	31.7	114.3	76.2
34	206.47	216.91	25.4	101.6	31.7	31.7	114.3	60.3	31.7	114.3	76.2
35	212.52	223.01	25.4	101.6	31.7	31.7	114.3	60.3	31.7	114.3	82.5
36	218.59	229.10	25.4	101.6	31.7	31.7	114.3	60.3	31.7	114.3	82.5
37	224.63	235.20	25.4	101.6	31.7	31.7	114.3	60.3	31.7	114.3	82.5
38	230.70	241.30	25.4	107.9	31.7	31.7	114.3	60.3	31.7	114.3	82.5
39	236.75	247.39	25.4	107.9	31.7	31.7	114.3	60.3	31.7	114.3	82.5
40	242.82	253.49	25.4	107.9	31.7	31.7	120.6	69.8	31.7	120.6	82.5

ASA60 sprockets (3/4" Pitch)



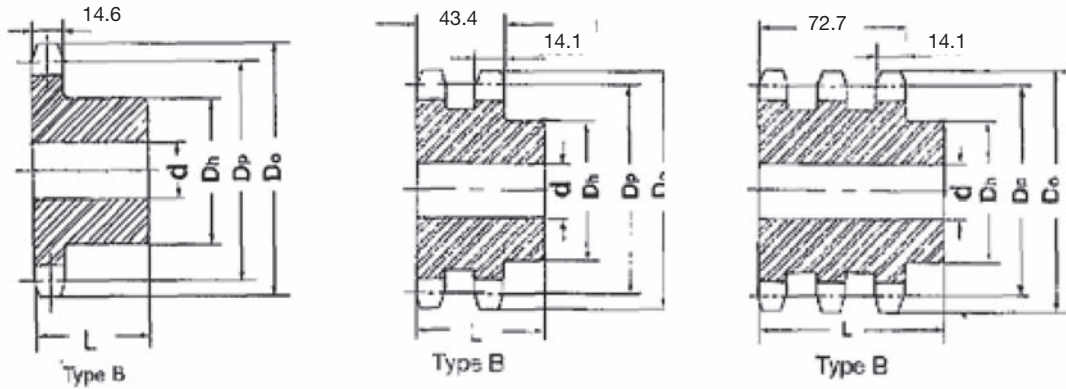
No of Teeth	Pitch Dia Dp	Outside Dia Do	SINGLE-TYPE			DOUBLE-TYPE			TRIPLE-TYPE		
			Bore d	Hub Dh	L	Bore d	Hub Dh	L	Bore d	Hub Dh	L
42	254.93	265.68	25.4	107.9	31.7	31.7	120.6	69.8	31.7	120.6	88.9
45	273.10	283.97	23.8	107.9	31.7	31.7	120.6	69.8	31.7	120.6	88.9
48	291.28	302.00	23.8	107.9	31.7	31.7	120.6	69.8	31.7	120.6	88.9
50	303.40	314.19	23.8	107.9	31.7	31.7	120.6	69.8	31.7	120.6	88.9
57	345.82	356.61	31.7	107.9	44.4	31.7	120.6	69.8	31.7	120.6	88.9
76	460.98	471.93	31.7	107.9	50.8						
95	576.14	587.24	31.7	139.7	57.1						
114	691.36	702.56	31.7	139.7	57.1						

ASA80 sprockets (1" Pitch)



No of Teeth	Pitch Dia Dp	Outside Dia Do	SINGLE-TYPE			DOUBLE-TYPE			TRIPLE-TYPE		
			Bore d	Hub Dh	L	Bore d	Hub Dh	L	Bore d	Hub Dh	L
9	74.26	85.09	25.4	57.1	41.2						
10	82.19	93.47	25.4	65.0	41.2	25.4	65.0	69.8			
11	90.17	101.85	25.4	71.4	41.2	25.4	63.5	63.5	25.4	63.5	92.0
12	98.14	109.98	25.4	79.3	41.2	25.4	72.2	63.5	25.4	72.2	92.0
13	106.14	118.36	25.4	76.2	38.1	25.4	80.1	63.5	25.4	80.1	92.0
14	114.14	126.49	25.4	82.5	38.1	25.4	88.1	63.5	25.4	88.1	92.0
15	122.17	134.62	25.4	96.8	38.1	25.4	96.4	63.5	25.4	96.4	92.0
16	130.20	143.00	25.4	101.6	38.1	25.4	101.6	69.8	25.4	101.6	98.4
17	138.22	151.13	25.4	101.6	38.1	25.4	112.3	69.8	25.4	112.3	98.4
18	146.27	159.25	25.4	107.9	38.1	25.4	120.2	69.8	25.4	120.2	98.4
19	154.33	167.38	25.4	107.9	38.1	25.4	127	69.8	25.4	127	98.4
20	162.35	175.51	25.4	107.9	38.1	25.4	127	69.8	25.4	127	98.4
21	170.43	183.89	25.4	107.9	44.4	25.4	127	69.8	25.4	127	98.4
22	178.48	192.02	25.4	107.9	44.4	25.4	127	69.8	25.4	127	98.4
23	186.53	200.15	25.4	107.9	44.4	25.4	127	69.8	25.4	127	98.4
24	194.58	208.28	25.4	107.9	44.4	25.4	133.3	69.8	25.4	133.5	98.4
25	202.66	216.40	25.4	107.9	44.4	25.4	133.3	76.2	25.4	133.5	98.4
26	210.71	224.53	31.7	120.6	50.8	25.4	133.3	76.2	25.4	133.5	98.4
27	218.79	232.66	31.7	120.6	50.8	25.4	146.0	76.2	31.7	146.0	98.4
28	226.84	240.79	31.7	120.6	50.8	25.4	146.0	76.2	31.7	146.0	98.4
29	234.92	248.92	30.1	120.6	50.8	25.4	146.0	76.2	31.7	146.0	98.4
30	243.00	256.79	30.1	120.6	50.8	25.4	146.0	76.2	31.7	146.0	107.9
31	251.05	264.92	30.1	120.6	50.8	25.4	146.0	76.2	31.7	146.0	107.9
32	259.13	273.05	30.1	120.6	50.8	25.4	146.0	76.2	31.7	146.0	107.9
33	267.20	281.17	30.1	120.6	50.8	25.4	146.0	76.2	31.7	146.0	107.9
34	275.28	289.30	30.1	120.6	50.8	25.4	146.0	76.2	31.7	146.0	107.9
35	283.36	297.43	30.1	120.6	50.8	25.4	146.0	79.3	31.7	146.0	107.9
36	291.36	305.56	30.1	120.6	50.8	31.7	146.0	79.3	31.7	146.0	107.9
37	299.51	313.69	30.1	120.6	50.8	31.7	146.0	79.3	31.7	146.0	107.9
38	307.59	321.81	30.1	120.6	50.8	31.7	146.0	79.37	31.7	146.0	107.9
39	315.67	329.94	30.1	120.6	50.8	31.7	146.0	79.37	31.7	146.0	107.9
40	323.74	338.07	30.1	120.6	50.8	31.7	146.0	79.37	31.7	146.0	107.9

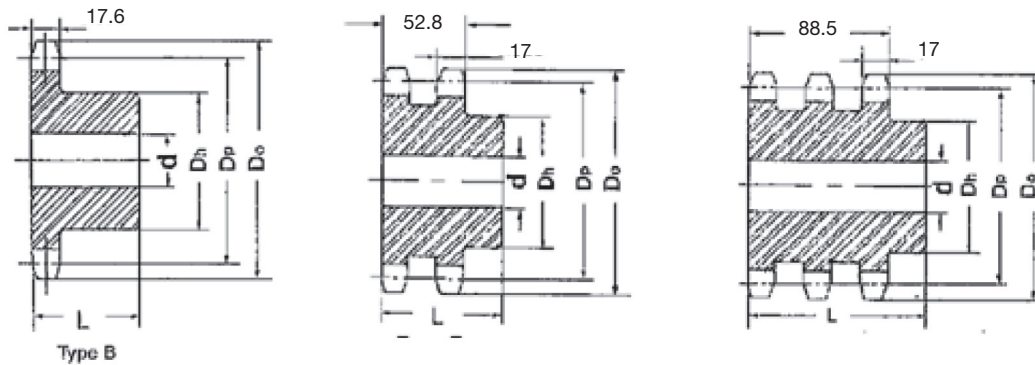
ASA80 sprockets (1" Pitch)



SPROCKETS NZ

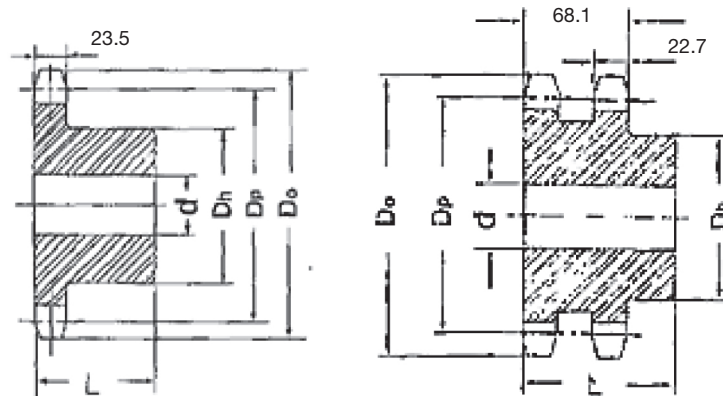
No of Teeth	Pitch Dia Dp	Outside Dia Do	SINGLE-TYPE			DOUBLE-TYPE			TRIPLE-TYPE		
			Bore d	Hub Dh	L	Bore d	Hub Dh	L	Bore d	Hub Dh	L
42	339.90	354.07	31.7	120.6	50.8	31.7	146.0	79.3	31.7	152.4	114.3
45	364.13	378.46	31.7	120.6	50.8	31.7	146.0	79.3	31.7	152.4	114.3
48	388.36	402.84	31.7	120.6	50.8	31.7	146.0	79.3	31.7	152.4	114.3
50	404.52	419.1	31.7	120.6	50.8						
57	461.08	475.74	31.7	133.3	50.8						
76	614.62	629.41	31.7	133.3	50.8						
95	768.23	783.08	31.7								
114	921.81	936.75	31.7								

ASA100 sprockets (1 ¼" pitch)



No of Teeth	Pitch Dia Dp	Outside Dia Do	SINGLE-TYPE			DOUBLE-TYPE			TRIPLE-TYPE		
			Bore d	Hub Dh	L	Bore d	Hub Dh	L	Bore d	Hub Dh	L
9	92.83	106.17	25.4	71.4	47.6	25.4	60.3	73.0			
10	102.74	116.84	25.4	82.5	47.6	25.4	69.8	73.0			
11	112.72	127.25	25.4	90.4	47.6	25.4	79.3	73.0	25.4	79.3	107.9
12	122.68	137.66	25.4	101.6	47.6	28.5	85.7	73.0	28.5	85.7	107.9
13	132.68	147.82	25.4	98.4	41.2	28.5	96.8	73.0	28.5	96.8	107.9
14	142.69	158.24	31.7	106.3	41.2	28.5	106.3	73.0	28.5	106.3	107.9
15	152.73	168.40	31.7	114.3	44.4	31.7	117.4	79.3	31.7	117.4	114.3
16	162.76	178.56	33.3	114.3	44.4	31.7	127	79.3	31.7	127	114.3
17	172.79	188.97	33.3	114.3	44.4	31.7	133.3	79.3	31.7	133.3	114.3
18	182.85	199.13	33.3	114.3	44.4	31.7	133.3	79.3	31.7	133.3	120.6
19	192.91	209.29	33.3	114.3	50.8	31.7	139.7	85.7	31.7	139.7	120.6
20	202.94	219.45	33.3	114.3	50.8	31.7	139.7	85.7	31.7	139.7	120.6
21	213.05	229.61	33.3	114.3	50.8	31.7	139.7	85.7	31.7	139.7	120.6
22	223.11	239.77	33.3	114.3	50.8	31.7	139.7	85.7	31.7	139.7	120.6
23	233.17	249.93	31.7	114.3	50.8	31.7	139.7	85.7	31.7	146.0	120.6
24	243.23	260.35	31.7	114.3	50.8	31.7	146.0	85.7	31.7	146.0	120.6
25	253.33	270.51	31.7	114.3	50.8	31.7	146.0	85.7	31.7	146.0	120.6
26	263.39	280.67	31.7	127	50.8	38.1	146.0	85.7	38.1	146.0	120.6
27	273.50	290.57	31.7	127	50.8	38.1	146.0	85.7	38.1	146.0	120.6
28	283.56	300.73	31.7	127	50.8	38.1	146.0	85.7	38.1	146.0	120.6
29	293.64	310.89	31.7	127	50.8	38.1	146.0	85.7	38.1	146.0	120.6
30	303.75	321.05	31.7	127	50.8	38.1	146.0	85.7	38.1	146.0	120.6
32	323.92	341.37	31.7	127	50.8	38.1	146.0	85.7	38.1	146.0	120.6
33	334.01	351.53	31.7	127	50.8	38.1	146.0	85.7	38.1	146.0	120.6
35	354.20	371.85	31.7	127	50.8	38.1	152.4	107.9	38.1	152.4	152.4
36	364.31	382.01	31.7	127	63.5	38.1	152.4	107.9	38.1	152.4	152.4
38	384.50	402.33	31.7	127	63.5	38.1	152.4	107.9	38.1	152.4	152.4
40	404.69	422.40	31.7	127	63.5						
42	424.89	442.72	31.7	127	63.5						
45	455.16	473.20	38.1	127	63.5						

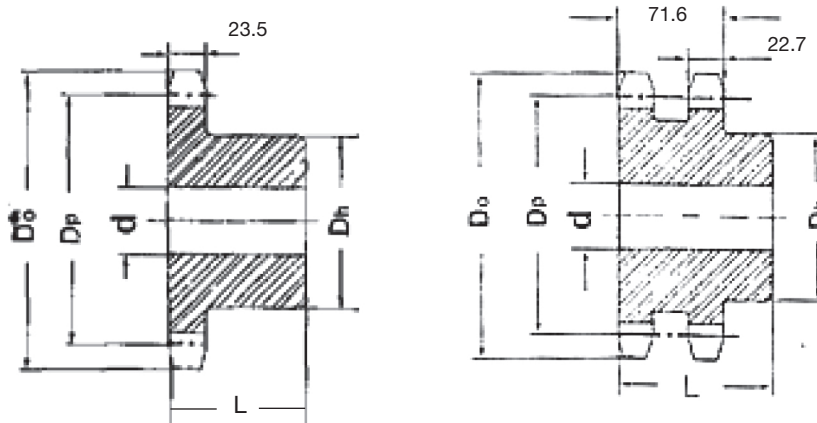
ASA120 sprockets (1 1/2" Pitch)



Type B

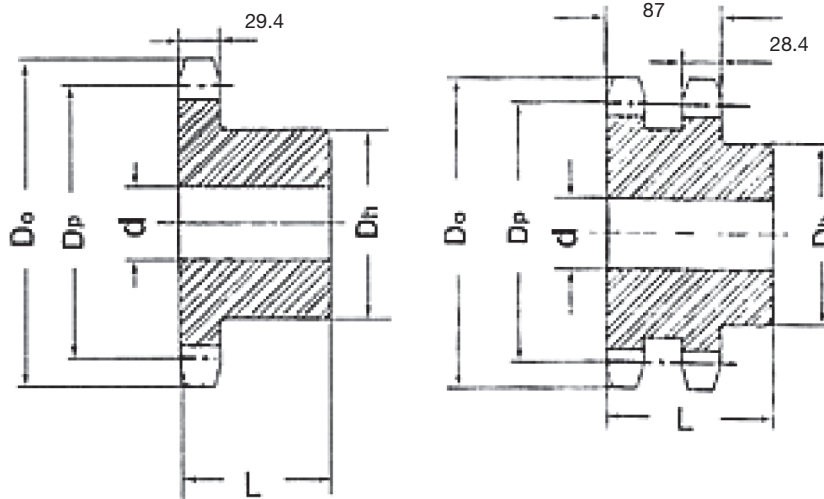
No of Teeth	Pitch Dia Dp	Outside Dia Do	SINGLE-TYPE			DOUBLE-TYPE		
			Bore d	Hub Dh	L	Bore d	Hub Dh	L
9	111.40	127.50	31.7	85.7	57.1			
10	123.29	140.20	31.7	95.2	57.1			
11	135.25	152.65	31.7	90.4	53.9	38.1	90.4	95.2
12	147.21	165.10	31.7	104.7	53.9	38.1	105.8	95.2
13	159.23	177.54	31.7	115.8	57.1	38.1	114.3	95.2
14	171.22	189.73	31.7	120.6	57.1	38.1	127	95.2
15	183.26	202.18	31.7	120.6	60.3	38.1	133.3	95.2
16	199.87	214.37	31.7	133.3	60.3	38.1	133.3	95.2
17	207.34	226.56	31.7	133.3	60.3	38.1	133.3	95.2
18	219.43	239.01	31.7	133.3	60.3	38.1	133.3	95.2
19	231.49	251.20	31.7	133.3	60.3	38.1	133.3	95.2
20	243.53	263.39	31.7	133.3	60.3	38.1	139.7	95.2
21	255.65	275.59	31.7	133.3	60.3	38.1	139.7	95.2
22	267.74	287.78	31.7	133.3	60.3	38.1	146.0	101.6
23	279.80	299.97	31.7	133.3	60.3	38.1	165.1	101.6
24	291.89	312.16	31.7	133.3	60.3	38.1	165.1	101.6
25	304.01	324.35	31.7	133.3	60.3	38.1	165.1	101.6
26	316.07	336.55	38.1	133.3	63.5	38.1	165.1	101.6
27	328.19	348.74	38.1	152.4	63.5	38.1	165.1	101.6
28	340.28	360.93	38.1	152.4	63.5	38.1	165.1	101.6
30	364.51	385.31	38.1	152.4	63.5	38.1	165.1	101.6
35	425.04	446.27	38.1	152.4	63.5			
38	461.37	482.66	38.1	152.4	63.5			
45	546.19	567.72	38.1	152.4	63.5			

ASA140 sprockets (1 3/4" Pitch)



No of Teeth	Pitch Dia Dp	Outside Dia Do	SINGLE-TYPE			DOUBLE-TYPE		
			Bore d	Hub Dh	L	Bore d	Hub Dh	L
11	157.81	178.05	38.1	107.9	57.1			
12	171.75	192.53	38.1	114.3	57.1			
13	185.75	207.01	38.1	139.7	60.3	41.3	127	95.2
14	199.77	221.48	38.1	139.7	60.3	41.3	139.7	95.2
15	213.81	235.71	38.1	158.7	60.3	41.3	165.1	95.2
16	227.86	250.19	38.1	158.7	63.5	41.3	177.8	101.6
17	241.90	264.41	38.1	158.7	63.5	41.3	177.8	101.6
18	255.98	278.89	38.1	158.7	63.5	44.4	177.8	101.6
19	270.07	293.11	38.1	158.7	63.5	44.4	177.8	101.6
20	284.12	307.34	38.1	158.7	63.5	44.4	177.8	101.6
21	298.27	321.56	38.1	158.7	63.5	44.4	177.8	101.6
22	312.34	335.78	38.1	158.7	63.5	44.4	177.8	101.6
23	326.44	350.01	38.1	158.7	63.5	44.4	177.8	101.6
24	340.53	364.23	38.1	158.7	63.5	44.4	177.8	101.6
25	354.66	378.46	38.1	158.7	63.5	44.4	177.8	101.6
26	368.75	392.68	38.1	158.7	76.2	44.4	177.8	101.6
27	382.90	406.90	38.1	158.7	76.2	44.4	177.8	101.6
28	396.97	421.13	38.1	158.7	76.2			
30	425.24	449.58	38.1	158.7	76.2			
38	538.3	563.1	38.1					
45	637.23	662.43	38.1					

ASA160 sprockets (2" Pitch)



No of Teeth	Pitch Dia D_p	Outside Dia D_o	SINGLE-TYPE			DOUBLE-TYPE		
			Bore d	Hub D_h	Hub L	Bore d	Hub D_h	Hub L
9	148.53	170.18	38.1	92.0	57.1			
10	164.38	186.94	38.1	104.7	57.1			
11	180.34	203.45	38.1	120.6	63.5			
12	196.29	219.96	38.1	139.7	63.5			
13	212.29	236.47	38.1	152.4	69.8	50.8	152.4	120.6
14	228.29	252.98	38.1	165.1	69.8	50.8	171.4	120.6
15	244.34	269.49	38.1	177.8	69.8	50.8	177.8	120.6
16	260.40	286.00	38.1	177.8	69.8	50.8	177.8	120.6
17	275.43	302.26	38.1	177.8	69.8	50.8	177.8	120.6
18	292.55	318.51	38.1	177.8	69.8	50.8	177.8	120.6
19	308.66	335.02	38.1	177.8	69.8	50.8	177.8	120.6
20	324.71	351.28	38.1	177.8	69.8	50.8	177.8	120.6
21	340.86	367.53	38.1	177.8	69.8	50.8	190.5	120.6
22	356.97	383.79	38.1	177.8	69.8	50.8	190.5	120.6
23	373.07	400.05	38.1	177.8	69.8	50.8	190.5	120.6
24	389.17	416.30	38.1	177.8	76.2	50.8	190.5	120.6
25	405.33	432.56	38.1	177.8	76.2	50.8	190.5	120.6
26	421.43	448.81	38.1	177.8	76.2	50.8	190.5	120.6
27	437.59	465.07	38.1	177.8	76.2	50.8	190.5	120.6
28	453.69	481.33	38.1	177.8	76.2			
30	486.00	531.84	38.1	177.8	76.2			
38	615.10	634.50	38.1	177.8	76.2			
45	728.26	756.92	38.1	177.8	76.2			