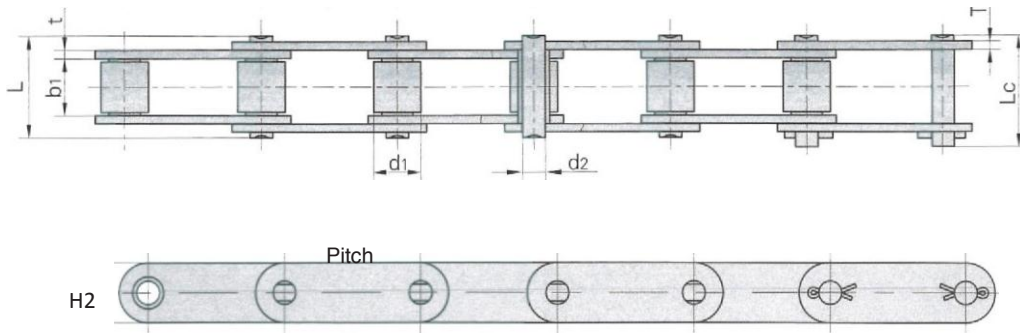


Lumber Conveyor Chains



Donghua Chain No.	Pitch	Roller Diameter	Width between Inner plates	Pin diameter	Pin length		Inner plate depth	Plate thickness	Ultimate tensile strength Q
	P mm	d1 mm	b1 mm	d2 mm	L mm	Lc mm	h2 mm	t/T mm	Q kN/LB
81X	66.27	23.00	27.00	11.10	49.0	53.5	28.50	4.00	106.7/24250
81XH	66.27	23.00	27.78	11.10	60.7	65.1	31.35	7.94/5.55	151.9/34523
81XHSS	66.27	23.00	27.00	11.10	49.0	53.5	28.50	4.00	77.5/17628

Lumber Conveyor Sprockets 81X



Number of teeth	Outside Diameter (mm)	Pitch circle Diameter (mm)	Bore (mm)	Width over teeth (mm)
6	144	132.6	25	23.8
8	185	173.23	25	23.8
9	210	193.8	25	23.8
10	234	214.37	25	23.8
11	256	235.2	25	23.8
12	276	256	25	23.8
13	300	276.8	25	23.8
14	317	397.68	25	23.8
15	338	318.7	25	23.8
16	366	339.6	25	23.8

- We carry 81X plate wheels ex-stock, Bosses can be welded on to these to suit requirements needed.